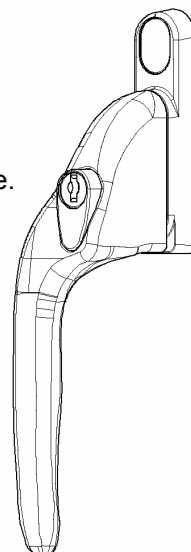


VIRAGE HANDLES

Metal Espagnolette and Cockspur Handle Range

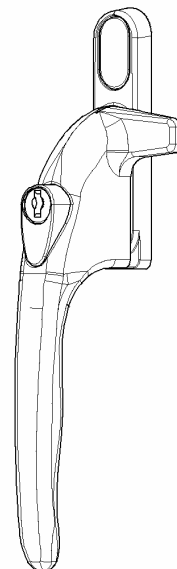
This handle range incorporates pleasing aesthetics utilising 'soft shapes' which are designed to sit well on sculptured profiles. Comprising of Espagnolette and Cockspur variants, the range caters for all locking applications in one modern look.

- BBA assessed handle - report no. 1632
- Guaranteed faultless for ten years
- Push to unlatch mechanism - available as locking or non-locking
- Positive stop on offset Espagnolette and Cockspur to ensure accurate In-line closure.
- Tested to exceed 50,000 full operating cycles
- Suited look for Espagnolette/shootbolt and Cockspur mixed applications
- Available with Green button and screw cover for fire escape applications
- Non latching version - available for easy access windows



Virage Espagnolette

- Offset and In-line designs allow easy and comfortable use on all profiles
- Positive stop on offset prevents overloading of the Espagnolette/shootbolt gearbox
- Available in five finishes: White, Brass, Black, Satin Chrome and Bright Chrome
- Available in 9, 12, 15, 20, 25, 30, 35, 40, 43 and 50mm Square drive lengths



Virage Cockspur

- High quality handles in an elegant In-line design
- Available in five finishes: White, Brass, Black and Silver
- Supplied left or right handed
- Choice of two base heights - 9 and 21mm

It is the responsibility of the user to ensure that this document is at the latest issue.

Due to our policy of continual product improvement we reserve the right to alter specifications without notice.

It is the responsibility of the window manufacturer to ensure that the finished window meets the required performance and safety specification.

© SECURISTYLE LTD 2006



Securistyle Ltd.
Kingsmead Industrial Estate
Princess Elizabeth Way, Cheltenham,
Gloucestershire, GL51 7RE
Tel: +44 (0) 1242 221200
Fax: +44 (0) 1242 520828
Web: www.securistyle.co.uk

CONTENTS - VIRAGE® Handles

	SECTION	SHEET
ESPAGNOLETTE & COCKSPUR SELECTION		
VIRAGE® Handles	2.1	1
HANDLE LOCKING OPTIONS		
VIRAGE® Locking Devices	2.1	2
COCKSPUR - STRIKE PLATE FITTING DETAILS		
Base Height	2.1	3
Strike Plates	2.1	3
Colour References	2.1	4
Strike Plate Operating Life	2.1	4
Strike Plate Performance	2.1	4
Strike Plate Fitting Requirements, Tolerances and Materials	2.1	5
ASSEMBLY SHEETS		
VIRAGE® Offset Espagnolette Push to Unlock Handle	2.2	1
VIRAGE® In-line Espagnolette Push to Unlock Handle	2.2	2
VIRAGE® In-line Cockspur Push to Unlock Handle	2.2	3

It is the responsibility of the user to ensure that this document is at the latest issue.

Due to our policy of continual product improvement we reserve the right to alter specifications without notice.

It is the responsibility of the window manufacturer to ensure that the finished window meets the required performance and safety specification.



HANDLES

ESPAGNOLETTE & COCKSPUR SELECTION - VIRAGE® HANDLES

VIRAGE® Handles

2.1.1 Details of the handles available in the VIRAGE® Espagnolette handle range:

Spindle Length mm	Non-Latching	Non-Locking				Locking
		EC	EEC	EI	EEI	
9	ENLC09	EC09	EEC09	EI09	EEI09	EBC09
12	ENLC12	EC12	EEC12	EI12	EEI12	EBC12
15	ENLC15	EC15	EEC15	EI15	EEI15	EBC15
20	ENLC20	EC20	EEC20	EI20	EEI20	EBC20
25	ENLC25	EC25	EEC25	EI25	EEI25	EBC25
30	ENLC30	EC30	EEC30	EI30	EEI30	EBC30
35	ENLC35	EC35	EEC35	EI35	EEI35	EBC35
40	ENLC40	EC40	EEC40	EI40	EEI40	EBC40
43	ENLC43	EC43	EEC43	EI43	EEI43	EBC43
50	ENLC50	EC50	EEC50	EI50	EEI50	EBC50

2.1.2 Details of the handles available in the VIRAGE® Cockspur handle range:

Base Height mm	Non-Locking		Locking
	C	CE	
9	C09	CE09	CB09
21	C21	CE21	CB21

2.1.3 Handle Codes

EBC	- Barrel Locking Virage Offset Espagnolette (2 Tumbler Metal Lock)	CB	- Barrel Locking Virage Cockspur (2 Tumbler Metal Lock)
EC	- Non-Locking Virage Offset Espagnolette	C	- Non-Locking Virage Cockspur
EEC	- Non-Locking Fire Escape Virage Offset Espagnolette	CE	- Non-Locking Fire Escape Virage Cockspur
ENLC	- Non-latching Virage Offset Espagnolette		
EI	- Non-Locking Virage In-line Espagnolette		
EEI	- Non-Locking Fire Escape Virage In-line Espagnolette		

2.1.4 Handed

All VIRAGE® Espagnolette and Cockspur Handles are available in either right (RH) or left hand (LH) options.

2.1.5 Colours Available:

Black (BK), Brass (BS), Silver (SL), White (WH), Bright Chrome (CH)

It is the responsibility of the user to ensure that this document is at the latest issue.

Due to our policy of continual product improvement we reserve the right to alter specifications without notice.

It is the responsibility of the window manufacturer to ensure that the finished window meets the required performance and safety specification.

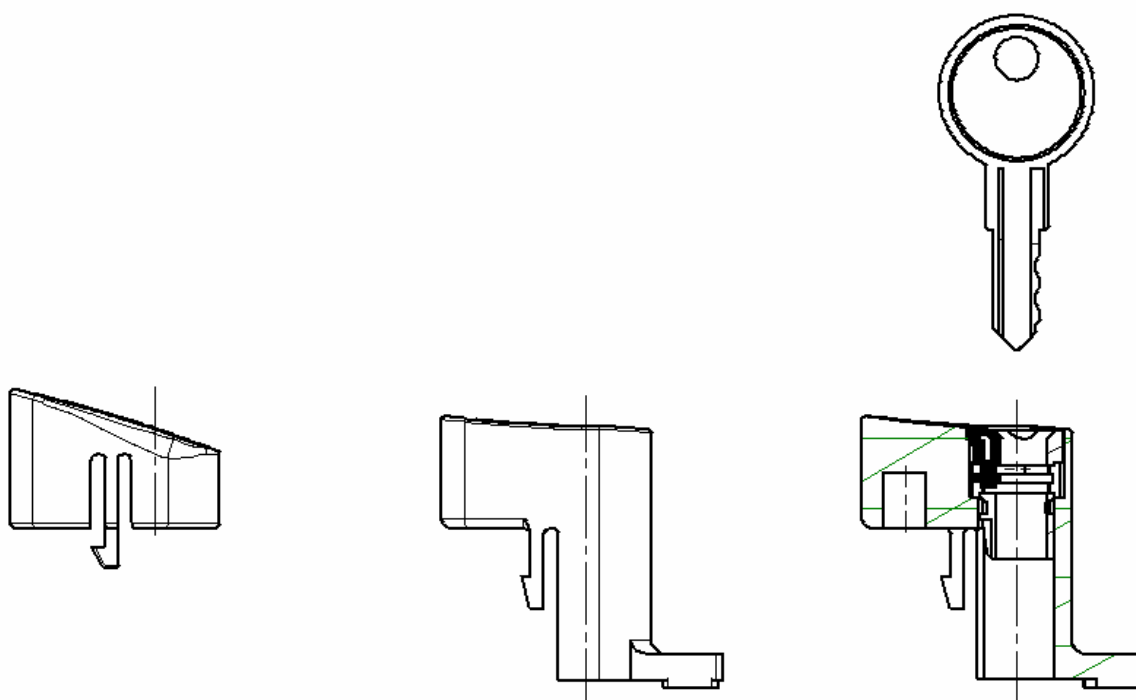


HANDLES

HANDLE LOCKING OPTIONS

VIRAGE® Locking Devices

2.1.6 Details of the individual **Push to Unlatch** locking mechanism



Description	Non-Latching Button	Non-Locking Push Button	Barrel Lock
Key Type	N/A	None	Pressed Steel
Lock Type	N/A	None	2 Tumbler Zinc Alloy
Housing	White/Black/Green Nylon*	White/Black/Green Nylon*	White/Black Nylon

* Green Nylon on Fire Escape variant only.

It is the responsibility of the user to ensure that this document is at the latest issue.

Due to our policy of continual product improvement we reserve the right to alter specifications without notice.

It is the responsibility of the window manufacturer to ensure that the finished window meets the required performance and safety specification.



HANDLES

COCKSPUR - STRIKEPLATE FITTING DETAILS

Selecting the correct Cockspur Handle and Strike Plate

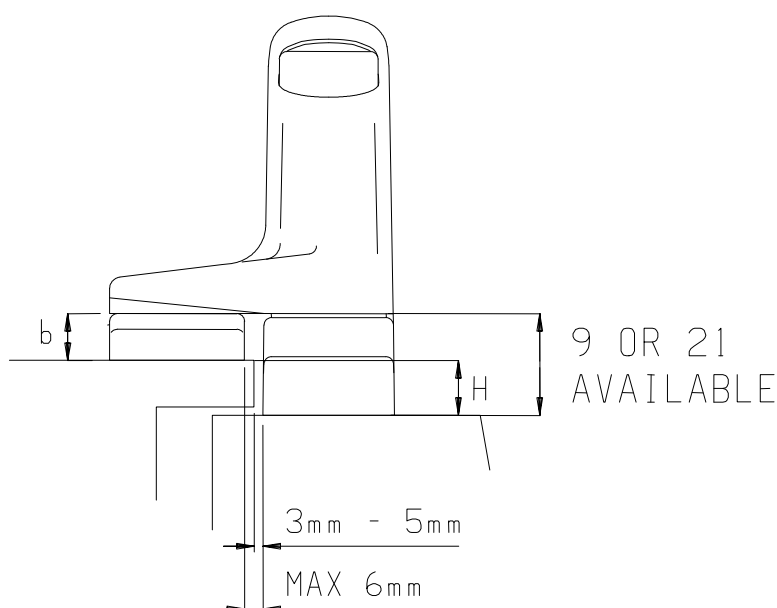


Fig. 3

2.1.7 Base Height

- 2.1.7.1 It is important to select a handle with the correct base height for the profile of the window frame.
- 2.1.7.2 Push the vent into the closed position.
- 2.1.7.3 Measure the difference between the face of the vent and the face of the window frame (measurement 'H' Fig. 3 above) to find the required base height. Bases available are 9 or 21 mm. Select the base height remembering to allow for the thickness of the strike plate (minimum of 3mm).

2.1.8 Strike Plates

- 2.1.8.1 Measure the base height as above for the frame profile.
- 2.1.8.2 Measure the height from the vent face to the face of the window frame to obtain measurement 'H'.
- 2.1.8.3 Subtract the measurement 'H' from the base height of the handle to obtain the thickness of the strike plate required ('b' in Fig. 3). These are available in sizes of 3 to 10mm in steps of 1mm.

Not to Scale, All dimensions in mm

It is the responsibility of the user to ensure that this document is at the latest issue.

Due to our policy of continual product improvement we reserve the right to alter specifications without notice.

It is the responsibility of the window manufacturer to ensure that the finished window meets the required performance and safety specification.



HANDLES

COCKSPUR - STRIKEPLATE FITTING DETAILS

2.1.9 Colours Reference

Black
White

Grey
Brass

Translucent

2.1.10 Strike Plate Operating Life

2.1.10.1 Strike plates are tested to complete a minimum of 10,000 full open/close operations with SECURISTYLE® handles at a maximum cycle rate of 600/hour, or with normal operation and use over a period of 10 years.

2.1.11 Strike Plate Performance

Operating temperature range 20°C to +60°C

Operating humidity range 10% RH to 95% RH

Strike plate performance will not be affected by temperature within the above limitations. Finishes and materials will not degrade due to ultra violet light, or domestic cleaning chemicals, at a rate in excess of that of the window to which the strike plates are fitted.

It is the responsibility of the user to ensure that this document is at the latest issue.

Due to our policy of continual product improvement we reserve the right to alter specifications without notice.

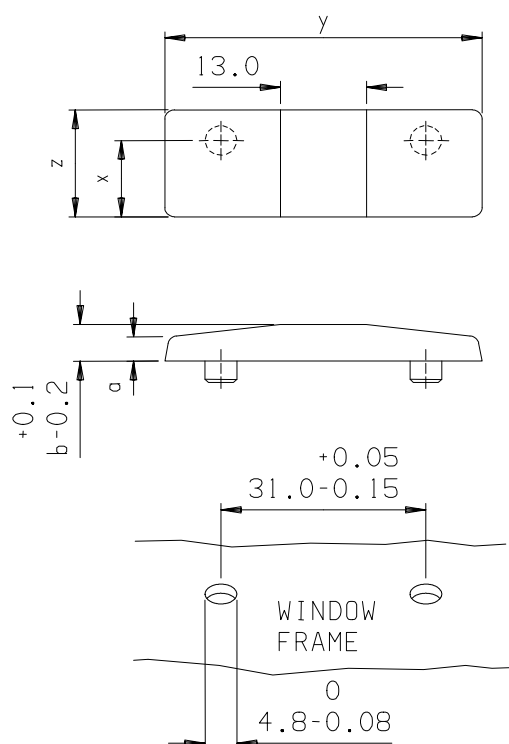
It is the responsibility of the window manufacturer to ensure that the finished window meets the required performance and safety specification.



HANDLES

COCKSPUR - STRIKEPLATE FITTING DETAILS

Strike Plate Fitting Requirements, Tolerances and Materials



Code	a	b	x	y	z	Materials
R1020	1	3	12.5	46	17.5	Nylon
R1021	2	4	12.5	47	17.5	Nylon
R1022	3	5	12.5	47	17.5	Nylon
R1023	4	6	12.5	48	17.5	Nylon
R1473	2	7	12.5	48	17.5	Nylon*
R1474	2	8	12.5	48.5	17.5	Nylon*
R1475	3	9	12.5	49	17.5	Nylon*
R1476	3	10	12.5	49.5	17.5	Nylon*

* Only available in Black or White.

Not to Scale, All dimensions in mm

It is the responsibility of the user to ensure that this document is at the latest issue.

Due to our policy of continual product improvement we reserve the right to alter specifications without notice.

It is the responsibility of the window manufacturer to ensure that the finished window meets the required performance and safety specification.



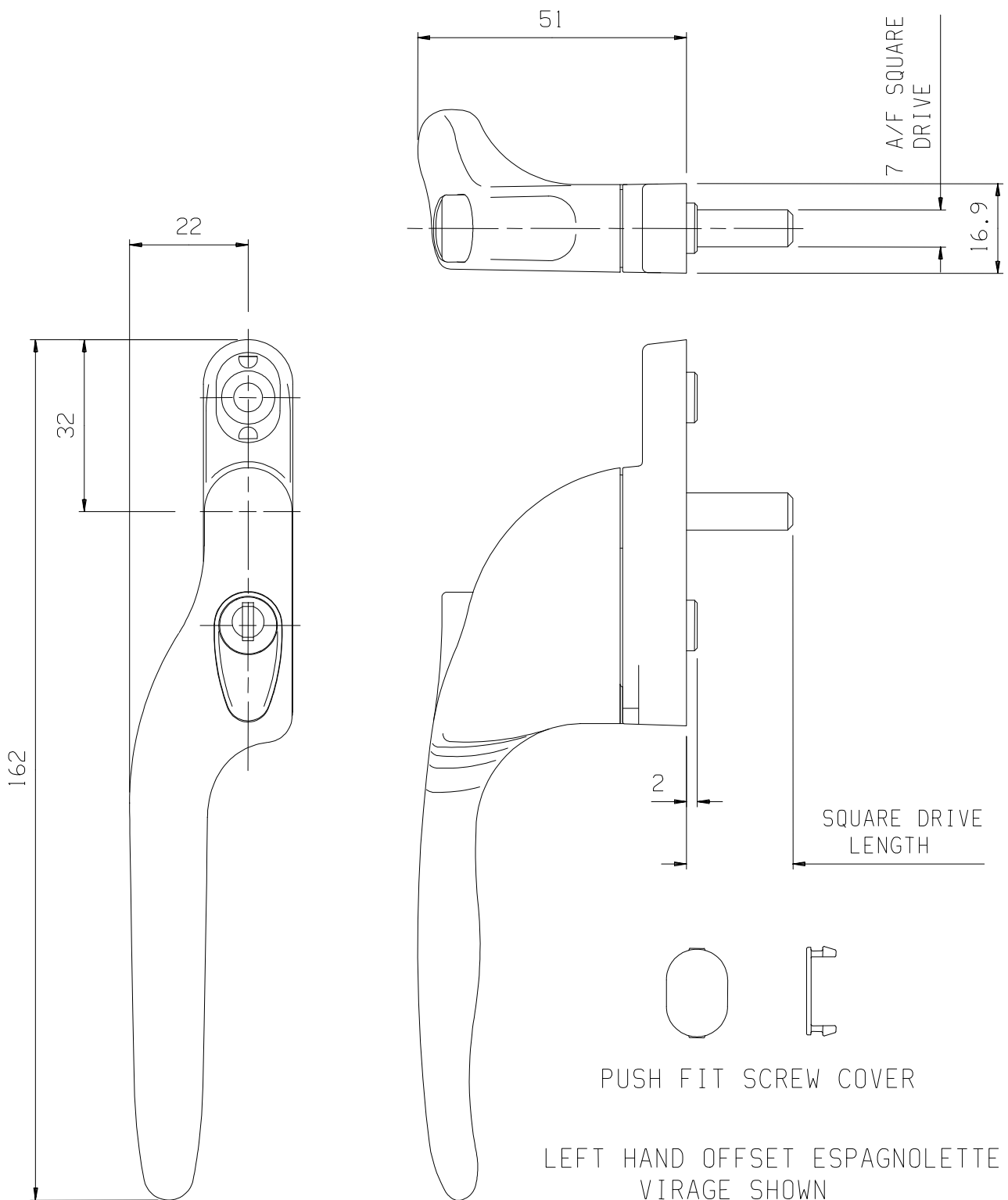
HANDLES

VIRAGE® HANDLES

SECTION 1.2 SHEET 1 of 3

ISSUE: March, 2006

ASSEMBLY SHEET - VIRAGE® Offset Espagnolette Push to Unlatch Handle



Not to Scale, All dimensions in mm

It is the responsibility of the user to ensure that this document is at the latest issue.

Due to our policy of continual product improvement we reserve the right to alter specifications without notice.

It is the responsibility of the window manufacturer to ensure that the finished window meets the required performance and safety specification.

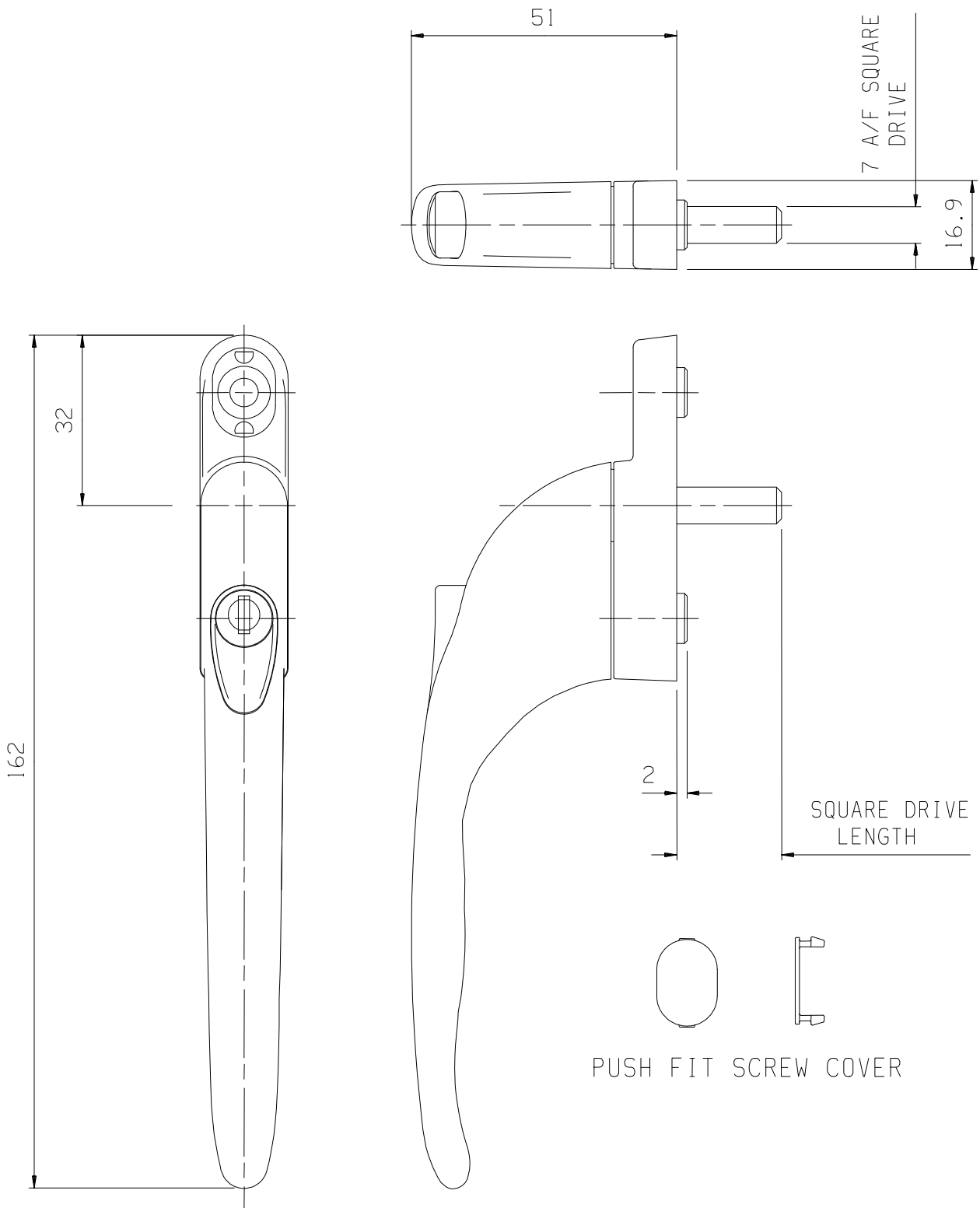
© SECURISTYLE LTD 2006



Securistyle Ltd.
Kingsmead Industrial Estate
Princess Elizabeth Way, Cheltenham,
Gloucestershire, GL51 7RE
Tel: +44 (0) 1242 221200
Fax: +44 (0) 1242 520828
Web: www.securistyle.co.uk

HANDLES

ASSEMBLY SHEET - VIRAGE® In-line Espagnolette Push to Unlatch Handle



Not to Scale, All dimensions in mm

It is the responsibility of the user to ensure that this document is at the latest issue.

Due to our policy of continual product improvement we reserve the right to alter specifications without notice.

It is the responsibility of the window manufacturer to ensure that the finished window meets the required performance and safety specification.



Securistyle Ltd.
Kingsmead Industrial Estate
Princess Elizabeth Way, Cheltenham,
Gloucestershire, GL51 7RE
Tel: +44 (0) 1242 221200
Fax: +44 (0) 1242 520828
Web: www.securistyle.co.uk

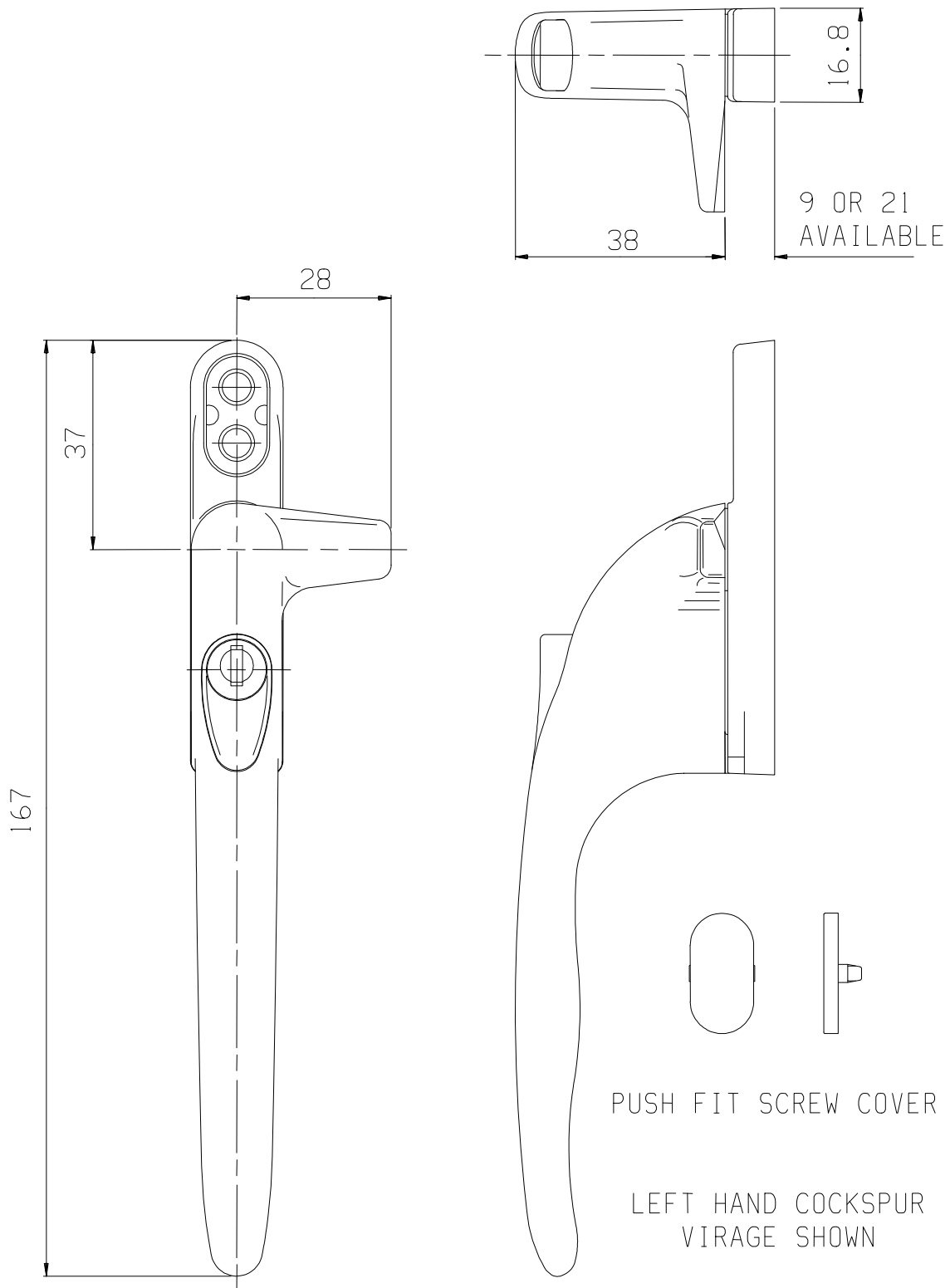
HANDLES

VIRAGE® HANDLES

SECTION 1.2 SHEET 3 of 3

ISSUE: March, 2006

ASSEMBLY SHEET - VIRAGE® In-line Cockspur Push to Unlock Handle



Not to Scale, All dimensions in mm

It is the responsibility of the user to ensure that this document is at the latest issue.

Due to our policy of continual product improvement we reserve the right to alter specifications without notice.

It is the responsibility of the window manufacturer to ensure that the finished window meets the required performance and safety specification.

© SECURISTYLE LTD 2006



Securistyle Ltd.
Kingsmead Industrial Estate
Princess Elizabeth Way, Cheltenham,
Gloucestershire, GL51 7RE
Tel: +44 (0) 1242 221200
Fax: +44 (0) 1242 520828
Web: www.securistyle.co.uk