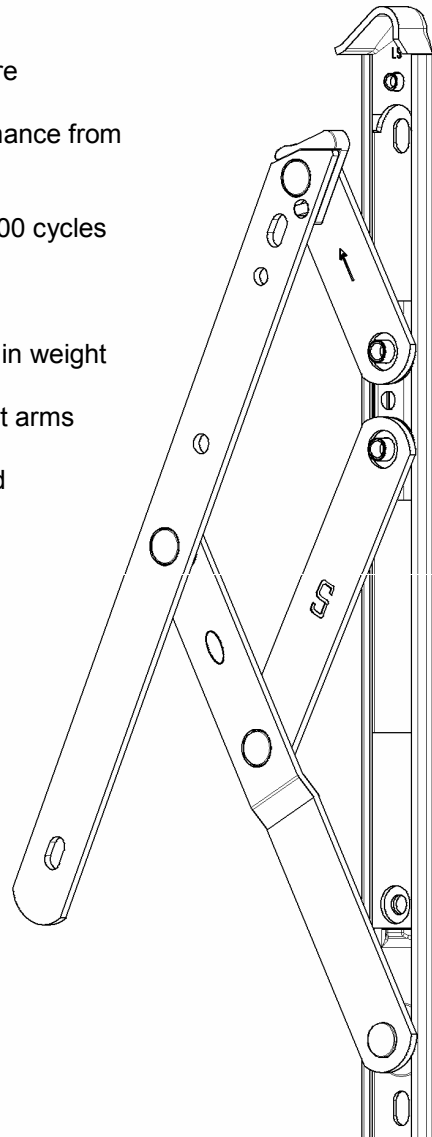


STERLING HINGES

Heavy Duty Friction Hinges for Commercial Applications

Designed to give superior window balancing, the Sterling range of hinges offer good durability and weather sealing combined with excellent weight carrying for curtain walling applications.

- Easy to fit with adjustable friction mechanism
- Asymmetric location system for reliable, accurate closure
- Improved weather sealing and draught proofing performance from asymmetric vent arm form
- Long and reliable working life tested to operate for 30,000 cycles
- Manufactured from high grade Austenitic stainless steel
- Suitable for vents from 0.3m to 2.5m high, up to 180 kg in weight
- Self balancing eliminates the need for additional support arms
- Composite steel/plastic slider for strength, durability and smooth operation
- Available in 10" to 26" top hung, 10" and 16" side hung
- Easy to use, adjustable opening stop on all top hung versions
- Optional hinge position adjustment device available separately



It is the responsibility of the user to ensure that this document is at the latest issue.

Due to our policy of continual product improvement we reserve the right to alter specifications without notice.

It is the responsibility of the window manufacturer to ensure that the finished window meets the required performance and safety specification.

© SECURISTYLE LTD 2008



Securistyle Ltd.
Kingsmead Industrial Estate
Princess Elizabeth Way, Cheltenham,
Gloucestershire, GL51 7RE
Tel: +44 (0) 1242 221200
Fax: +44 (0) 1242 520828
Web: www.securistyle.co.uk

HINGES

STERLING® HINGES

ISSUE: October, 2008

CONTENTS - STERLING® Hinges

	SECTION	SHEET
VENT SIZE AND WEIGHT CHART		
STERLING® Hinges	6.1	1
FITTING INSTRUCTIONS: Fixing Hole References		
STERLING® Hinges	6.1	2
ASSEMBLY SHEETS		
SPT10 Top Hung Hinge	6.2	1
SPT12 Top Hung Hinge	6.2	2
SPT16 Top Hung Hinge	6.2	3
SPT16W Top Hung Hinge	6.2	4
SPTH16 Top Hung Hinge	6.2	5
SPT22 Top Hung Hinge	6.2	6
SPT22W Top Hung Hinge	6.2	7
SPT26 Top Hung Hinge	6.2	8
SPS10 Side Hung Hinge	6.2	9
SPSH16 Side Hung Hinge	6.2	10

It is the responsibility of the user to ensure that this document is at the latest issue.

Due to our policy of continual product improvement we reserve the right to alter specifications without notice.

It is the responsibility of the window manufacturer to ensure that the finished window meets the required performance and safety specification.

© SECURISTYLE LTD 2008



Securistyle Ltd.
Kingsmead Industrial Estate
Princess Elizabeth Way, Cheltenham,
Gloucestershire, GL51 7RE
Tel: +44 (0) 1242 221200
Fax: +44 (0) 1242 520828
Web: www.securistyle.co.uk

HINGES

VENT SIZE AND WEIGHT CHART - STERLING® Hinges

Hinge Code (Top Hung)	Max. Vent Weight (Kg)	Min. Vent Height (mm)	Max. Vent Height (mm)	Max. Vent Width (mm)	Opening Angle (+/- 2.5°)
SPT10	40	267	635	-	50°
SPT12	50	635	787	-	50°
SPT16 & SPT16W	65	787	1090	-	50°
SPTH16*	100	600	1100	-	30°
SPT22*	100	1090	1500	-	45°
SPT22W*	100	1500	2000	-	20°
SPT26*	180	2000	2500	-	20°
Hinge Code (Side Hung)		Min. Vent Width (mm)			
SPS10	38	300	-	660	85°
SPSH16	55	450	-	838	60°

Note: Vent height/width is measured from rebate to rebate (not overall size or outer frame size) on conventional windows or glass size on structurally glazed windows e.g. curtain wall panels whichever is the greater dimension. For maximum vent height and widths not stated, consult profile manufacturers for recommendations on requirements of system strength and sealing.

Note: *Vents of 100Kg or higher, must be fitted with S7280 Cam adjustment devices, which are optional on lighter vents.

Note: Separate restrictors (SR8 or SR16 pair), vent holding devices or an operating mechanism maybe required to hold large vents in a selected ventilation position against variable wind pressure.

Note: As with all types of friction hinges, friction cannot be provided until the slider moves, therefore when limiting the opening of top hung vents to angles of 10° or less, additional separate device(s) will be required on top hung vents to enable them to remain in a selected ventilation position.

Note: Above sizes/weights also apply to BX (STERLING® Offset Series).

It is the responsibility of the user to ensure that this document is at the latest issue.

Due to our policy of continual product improvement we reserve the right to alter specifications without notice.

It is the responsibility of the window manufacturer to ensure that the finished window meets the required performance and safety specification.



HINGES

FITTING INSTRUCTIONS: Fixing Hole References

Fixing Hole Centre Reference Chart - STERLING® Hinges

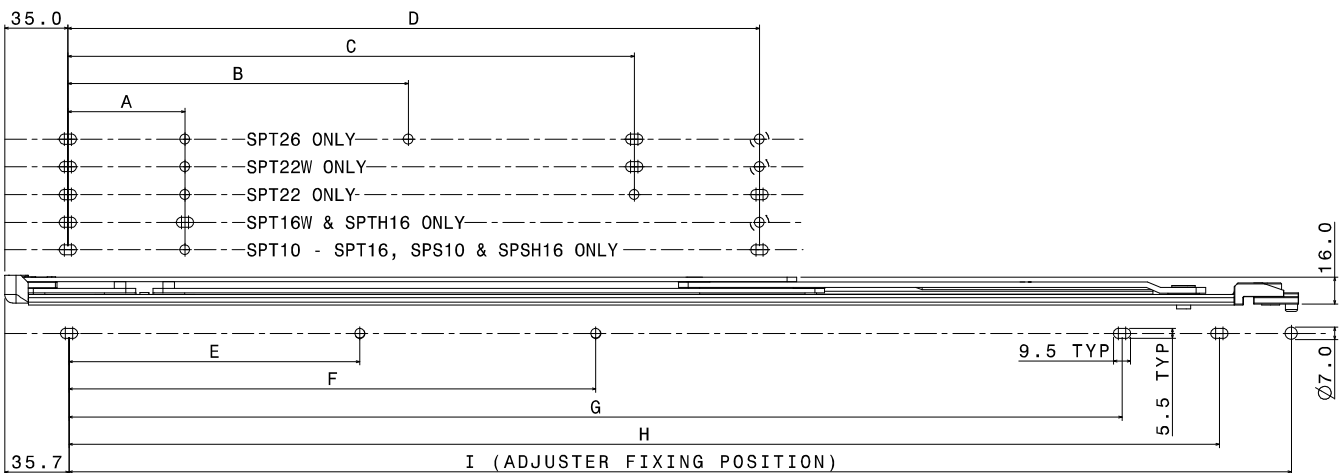
SPT - Sterling Top Hung

SPS - Sterling Side Hung

Dimensions

Description	A	B	C	D	E	F	G	H	I
SPT10	40.8	-	-	165.1	-	177.8	-	218.2	256.2
SPT12	65.0	-	-	190.1	-	212.7	-	269.0	307.3
SPT16/SPT16W	118.4	-	-	241.2	215.7	304.0	-	370.6	408.9
SPTH16	118.4	-	-	241.2	133.7	222.0	-	370.6	408.9
SPT22	65.0	-	203.2	317.4	251.3	418.3	-	523.0	561.3
SPT22W	80.0	-	235.8	350.0	-	295.4	-	526.5	564.8
SPT26	65.0	189.0	314.4	383.9	161.4	292.4	584.5	638.5	676.8
SPS10	34.0	-	-	165.1	-	177.8	-	218.2	-
SPSH16	65.0	-	-	241.2	-	212.9	-	370.6	-

Note: Above hole fixings also apply for BX (Offset) variants.



Not to Scale, All dimensions in mm

It is the responsibility of the user to ensure that this document is at the latest issue.

Due to our policy of continual product improvement we reserve the right to alter specifications without notice.

It is the responsibility of the window manufacturer to ensure that the finished window meets the required performance and safety specification.

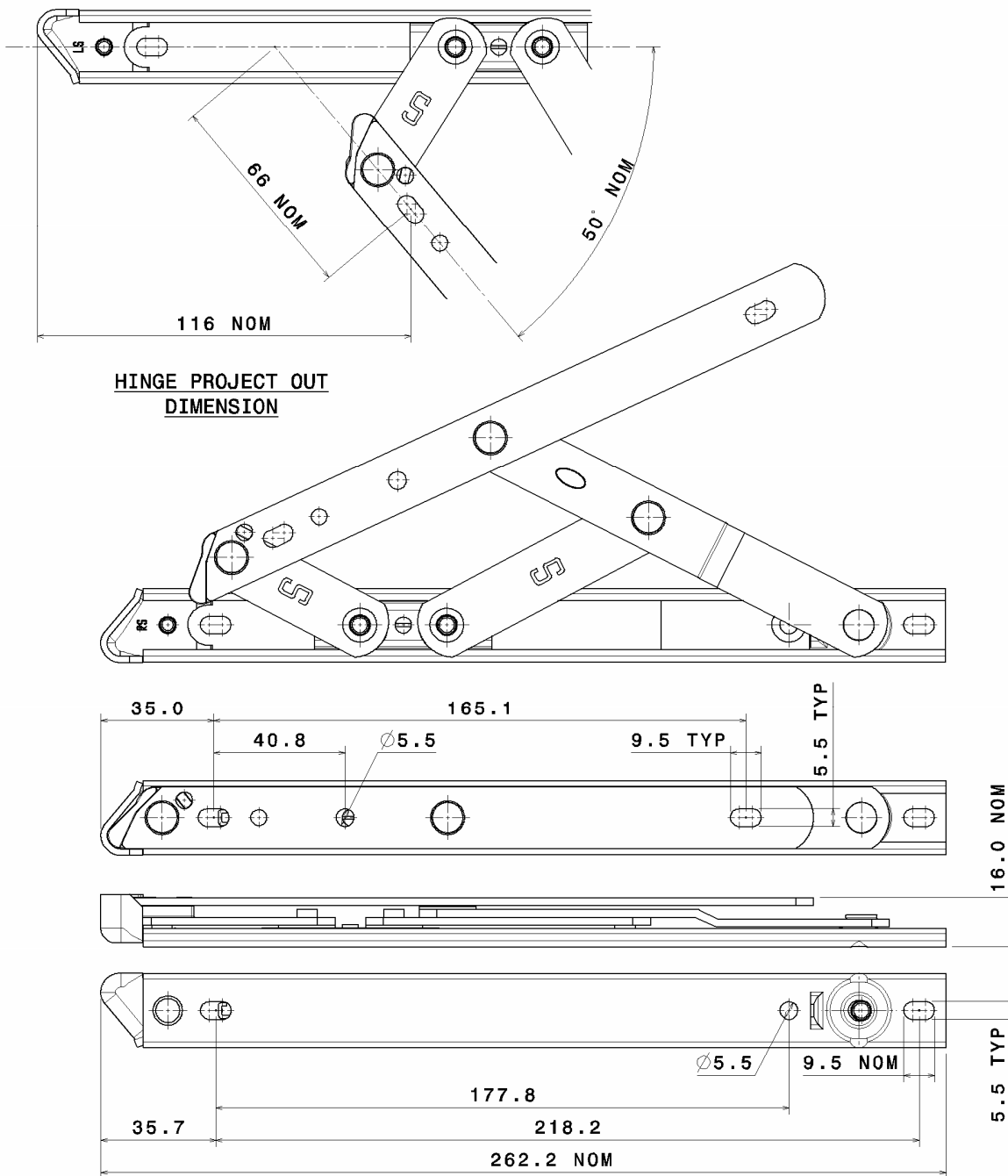


Securistyle Ltd.
 Kingsmead Industrial Estate
 Princess Elizabeth Way, Cheltenham,
 Gloucestershire, GL51 7RE
 Tel: +44 (0) 1242 221200
 Fax: +44 (0) 1242 520828
 Web: www.securistyle.co.uk

HINGES

ASSEMBLY SHEET - SPT10

Top Hung Hinge



Hinge Code	Max. Vent Weight (Kg)	Min. Vent Height (mm)	Max. Vent Height (mm)	Max. Vent Width (mm)	Hardware Cavity (mm)
SPT10	40	267	635	See profile manufacturers recommendations	16 - 18

Not to Scale, All dimensions in mm

It is the responsibility of the user to ensure that this document is at the latest issue.

Due to our policy of continual product improvement we reserve the right to alter specifications without notice.

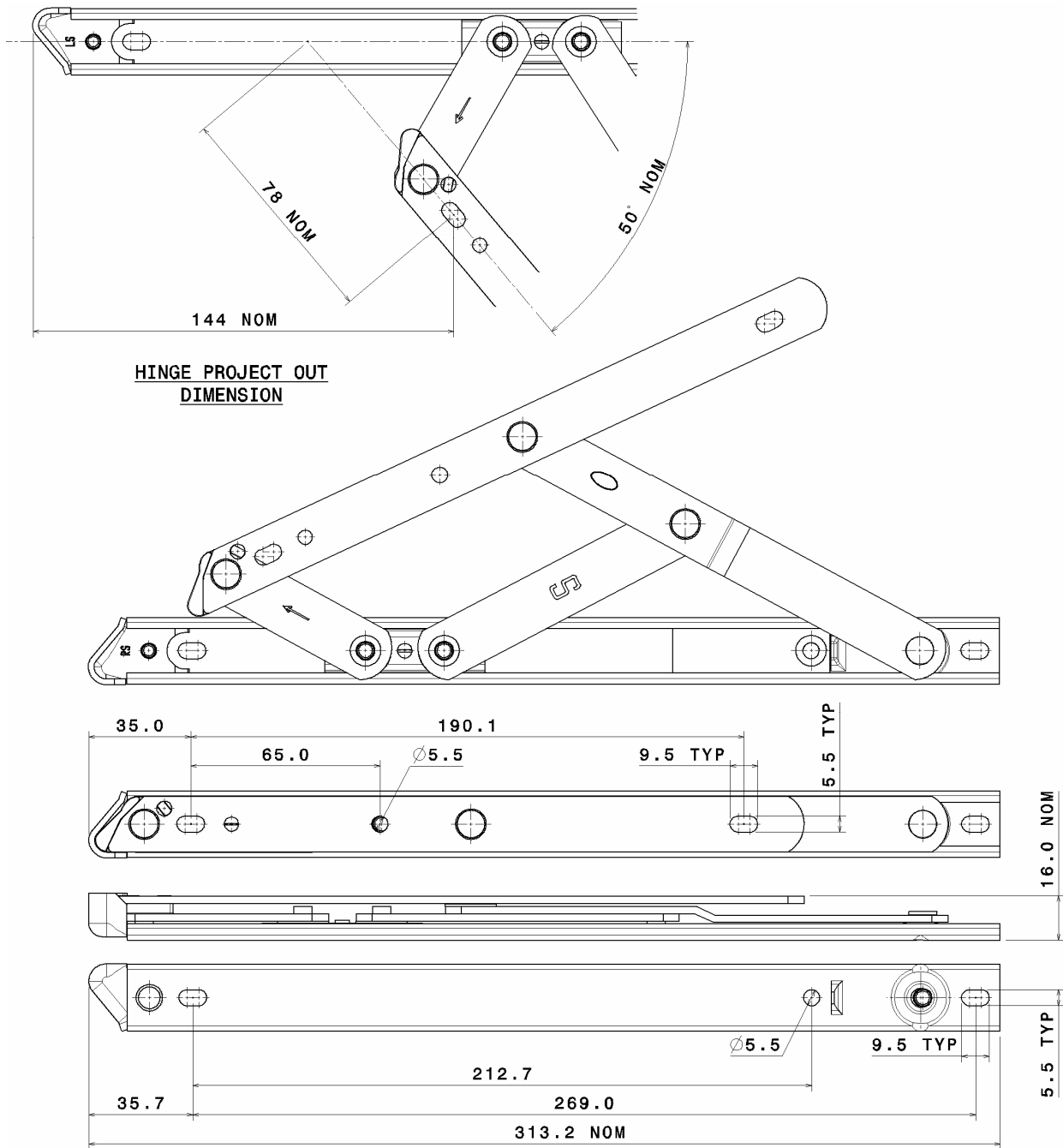
It is the responsibility of the window manufacturer to ensure that the finished window meets the required performance and safety specification.



Securistyle Ltd.
 Kingsmead Industrial Estate
 Princess Elizabeth Way, Cheltenham,
 Gloucestershire, GL51 7RE
 Tel: +44 (0) 1242 221200
 Fax: +44 (0) 1242 520828
 Web: www.securistyle.co.uk

HINGES

ASSEMBLY SHEET - SPT12 Top Hung Hinge



**HINGE PROJECT OUT
DIMENSION**

Hinge Code	Max. Vent Weight (Kg)	Min. Vent Height (mm)	Max. Vent Height (mm)	Max. Vent Width (mm)	Hardware Cavity (mm)
SPT12	50	635	787	See profile manufacturers recommendations	16 - 18

Not to Scale, All dimensions in mm

It is the responsibility of the user to ensure that this document is at the latest issue.

Due to our policy of continual product improvement we reserve the right to alter specifications without notice.

It is the responsibility of the window manufacturer to ensure that the finished window meets the required performance and safety specification.

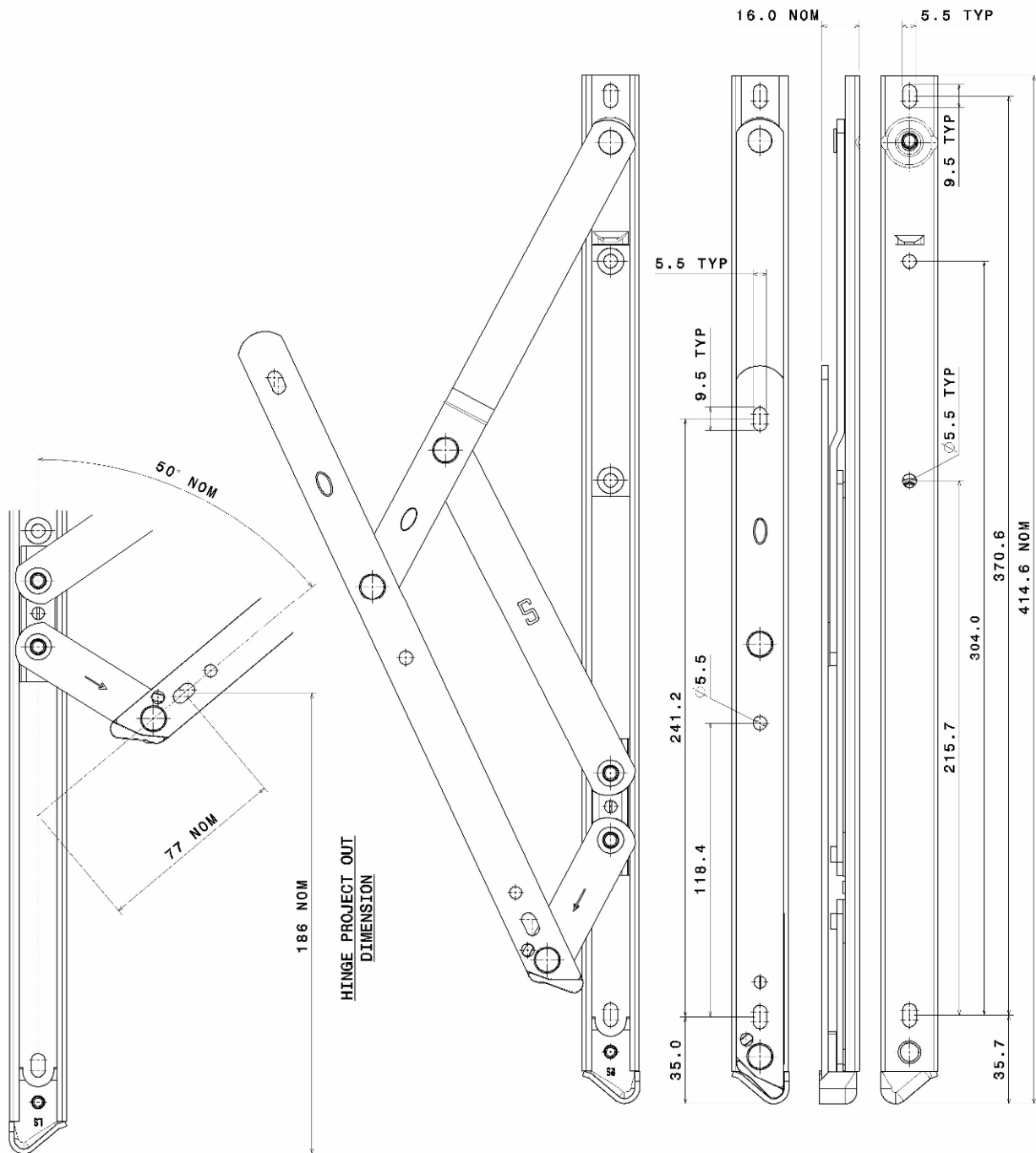


Securistyle Ltd.
Kingsmead Industrial Estate
Princess Elizabeth Way, Cheltenham,
Gloucestershire, GL51 7RE
Tel: +44 (0) 1242 221200
Fax: +44 (0) 1242 520828
Web: www.securistyle.co.uk

HINGES

ASSEMBLY SHEET - SPT16

Top Hung Hinge



Hinge Code	Max. Vent Weight (Kg)	Min. Vent Height (mm)	Max. Vent Height (mm)	Max. Vent Width (mm)	Hardware Cavity (mm)
SPT16	65	787	1090	See profile manufacturers recommendations	16 - 18

Not to Scale, All dimensions in mm

It is the responsibility of the user to ensure that this document is at the latest issue.

Due to our policy of continual product improvement we reserve the right to alter specifications without notice.

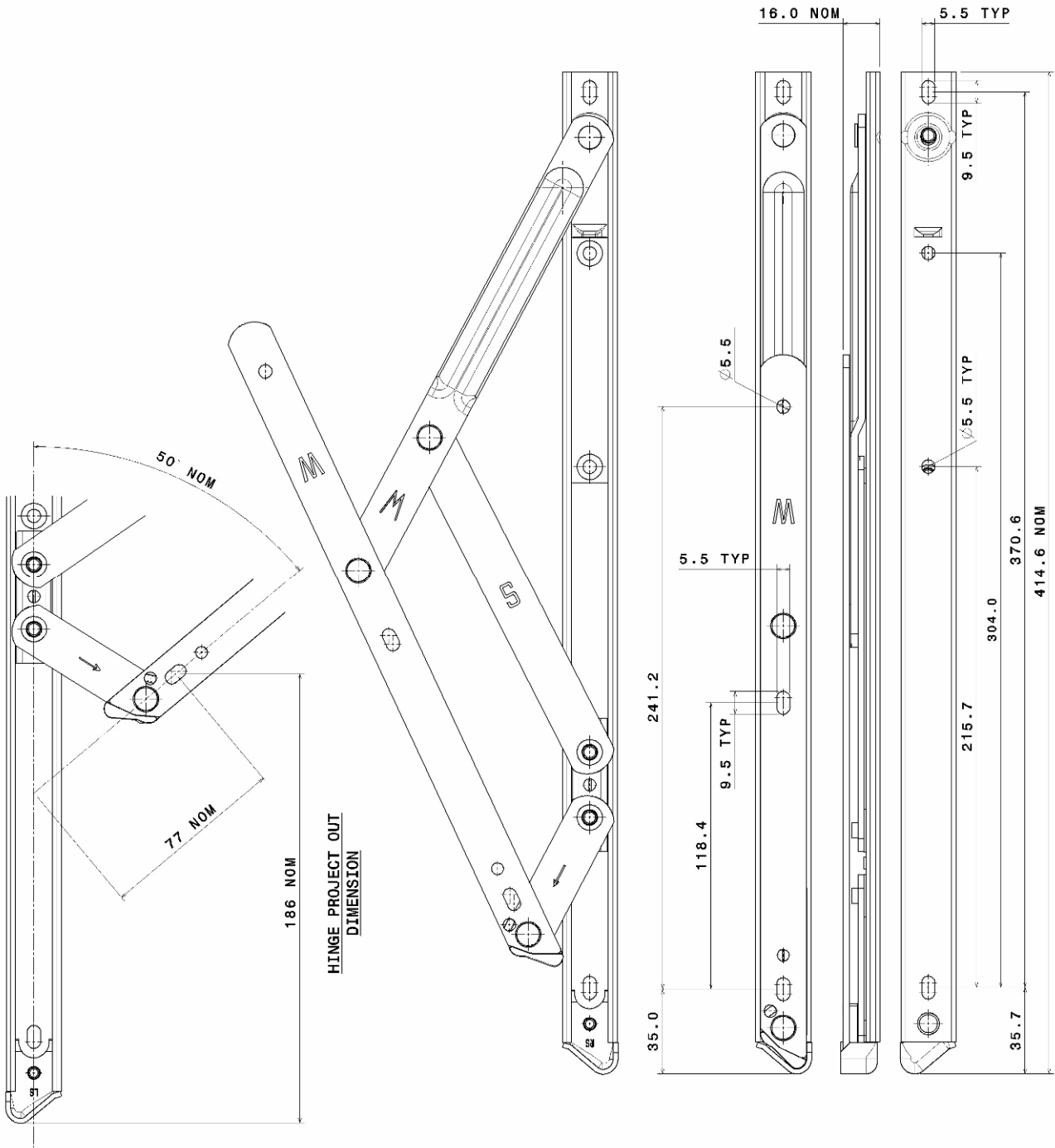
It is the responsibility of the window manufacturer to ensure that the finished window meets the required performance and safety specification.



Securistyle Ltd.
 Kingsmead Industrial Estate
 Princess Elizabeth Way, Cheltenham,
 Gloucestershire, GL51 7RE
 Tel: +44 (0) 1242 221200
 Fax: +44 (0) 1242 520828
 Web: www.securistyle.co.uk

HINGES

ASSEMBLY SHEET - SPT16W Top Hung Hinge



Hinge Code	Max. Vent Weight (Kg)	Min. Vent Height (mm)	Max. Vent Height (mm)	Max. Vent Width (mm)	Hardware Cavity (mm)
SPT16W	65	787	1090	See profile manufacturers recommendations	16 - 18

Not to Scale, All dimensions in mm

It is the responsibility of the user to ensure that this document is at the latest issue.

Due to our policy of continual product improvement we reserve the right to alter specifications without notice.

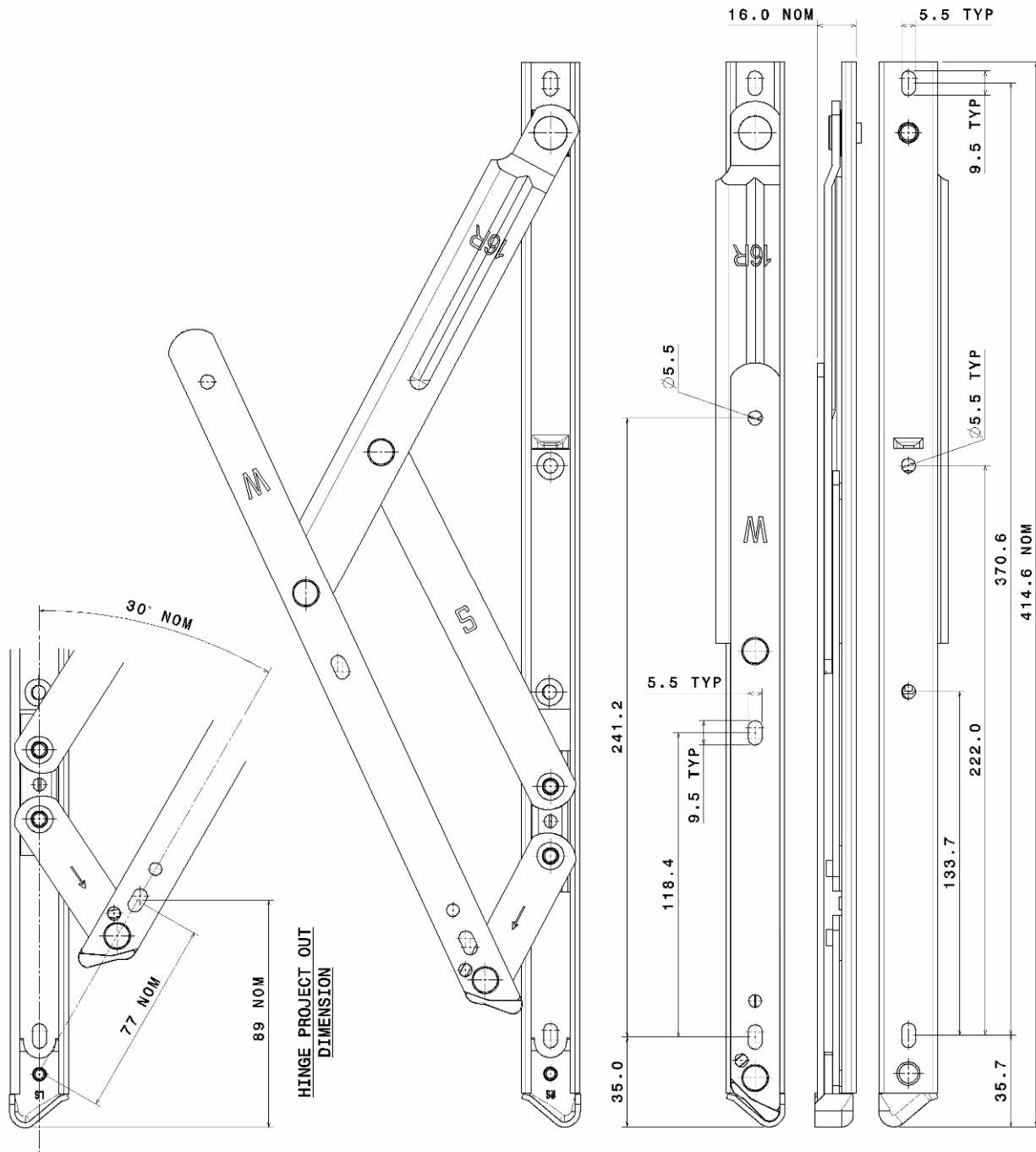
It is the responsibility of the window manufacturer to ensure that the finished window meets the required performance and safety specification.



Securistyle Ltd.
 Kingsmead Industrial Estate
 Princess Elizabeth Way, Cheltenham,
 Gloucestershire, GL51 7RE
 Tel: +44 (0) 1242 221200
 Fax: +44 (0) 1242 520828
 Web: www.securistyle.co.uk

HINGES

ASSEMBLY SHEET - SPTH16 Top Hung Hinge



Hinge Code	Max. Vent Weight (Kg)	Min. Vent Height (mm)	Max. Vent Height (mm)	Max. Vent Width (mm)	Hardware Cavity (mm)
SPTH16	100	600	1100	See profile manufacturers recommendations	16 - 18

Not to Scale, All dimensions in mm

It is the responsibility of the user to ensure that this document is at the latest issue.

Due to our policy of continual product improvement we reserve the right to alter specifications without notice.

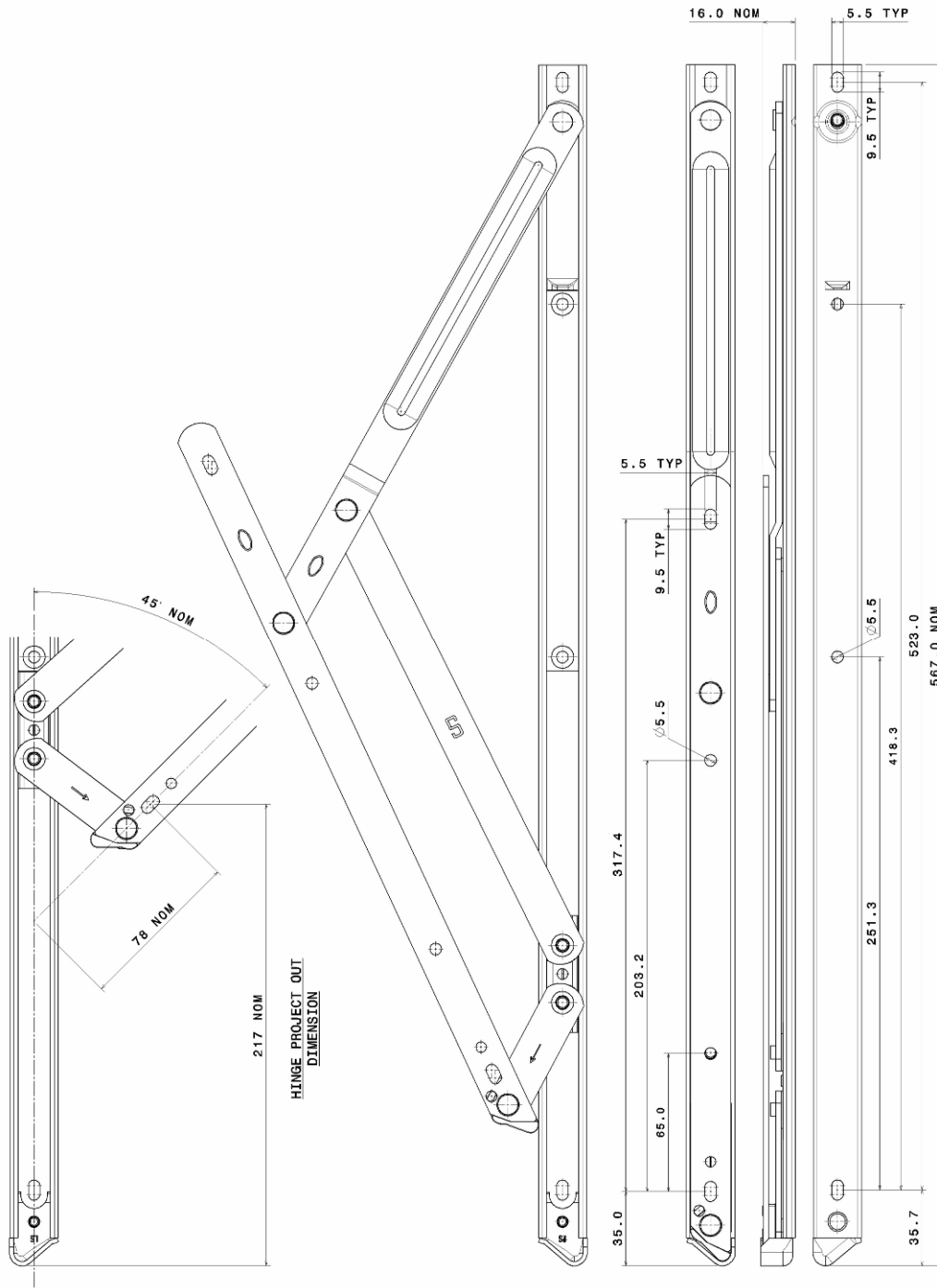
It is the responsibility of the window manufacturer to ensure that the finished window meets the required performance and safety specification.



Securistyle Ltd.
Kingsmead Industrial Estate
Princess Elizabeth Way, Cheltenham,
Gloucestershire, GL51 7RE
Tel: +44 (0) 1242 221200
Fax: +44 (0) 1242 520828
Web: www.securistyle.co.uk

HINGES

ASSEMBLY SHEET - SPT22 Top Hung Hinge



Hinge Code	Max. Vent Weight (Kg)	Min. Vent Height (mm)	Max. Vent Height (mm)	Max. Vent Width (mm)	Hardware Cavity (mm)
SPT22	100	1090	1500	See profile manufacturers recommendations	16 - 18

Not to Scale, All dimensions in mm

It is the responsibility of the user to ensure that this document is at the latest issue.

Due to our policy of continual product improvement we reserve the right to alter specifications without notice.

It is the responsibility of the window manufacturer to ensure that the finished window meets the required performance and safety specification.

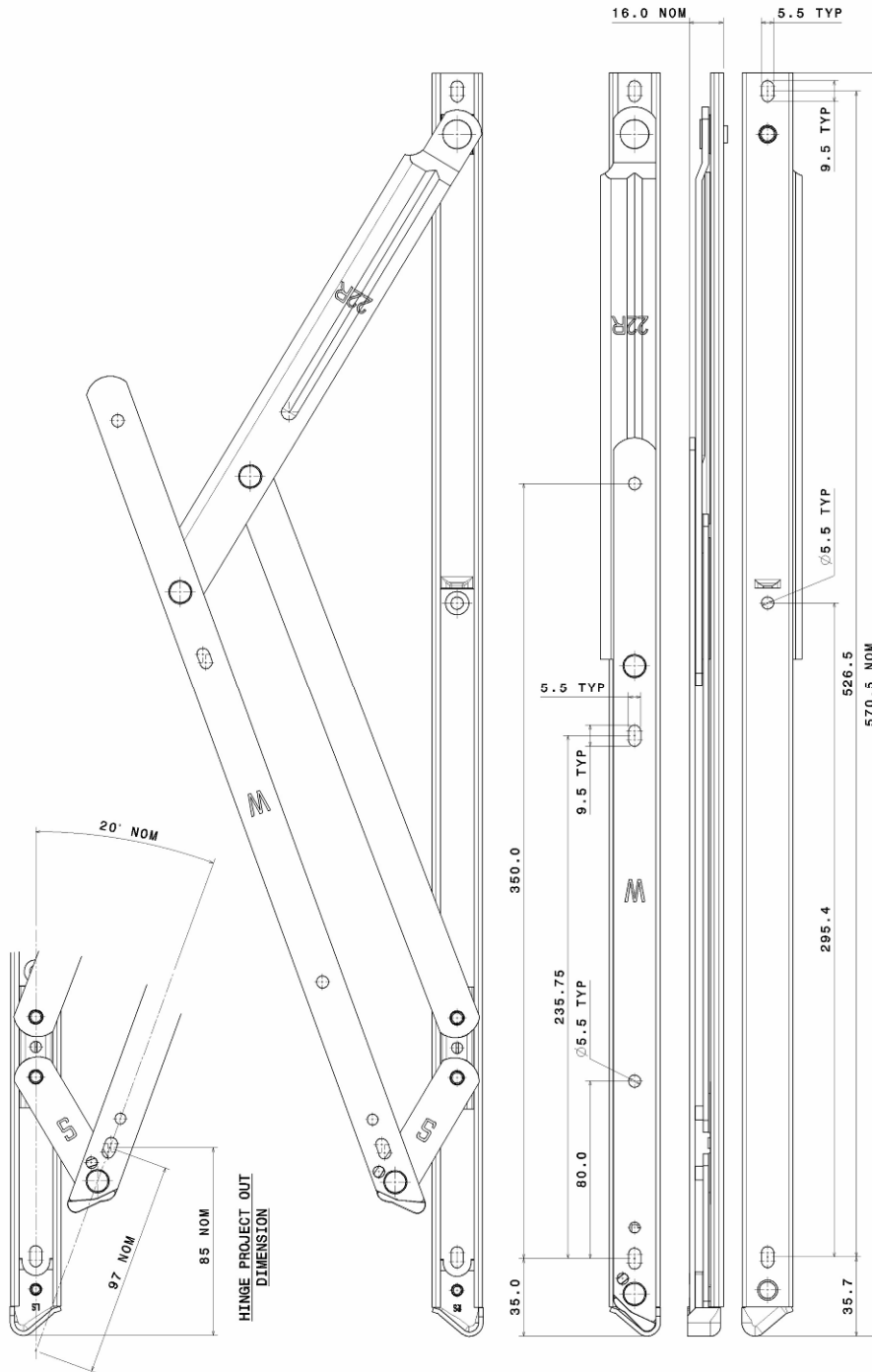


Securistyle Ltd.
Kingsmead Industrial Estate
Princess Elizabeth Way, Cheltenham,
Gloucestershire, GL51 7RE
Tel: +44 (0) 1242 221200
Fax: +44 (0) 1242 520828
Web: www.securistyle.co.uk

HINGES

ASSEMBLY SHEET - SPT22W

Top Hung Hinge



Hinge Code	Max. Vent Weight (Kg)	Min. Vent Height (mm)	Max. Vent Height (mm)	Max. Vent Width (mm)	Hardware Cavity (mm)
SPT22W	100	1500	2000	See profile manufacturers recommendations	16 - 18

Not to Scale, All dimensions in mm

It is the responsibility of the user to ensure that this document is at the latest issue.

Due to our policy of continual product improvement we reserve the right to alter specifications without notice.

It is the responsibility of the window manufacturer to ensure that the finished window meets the required performance and safety specification.

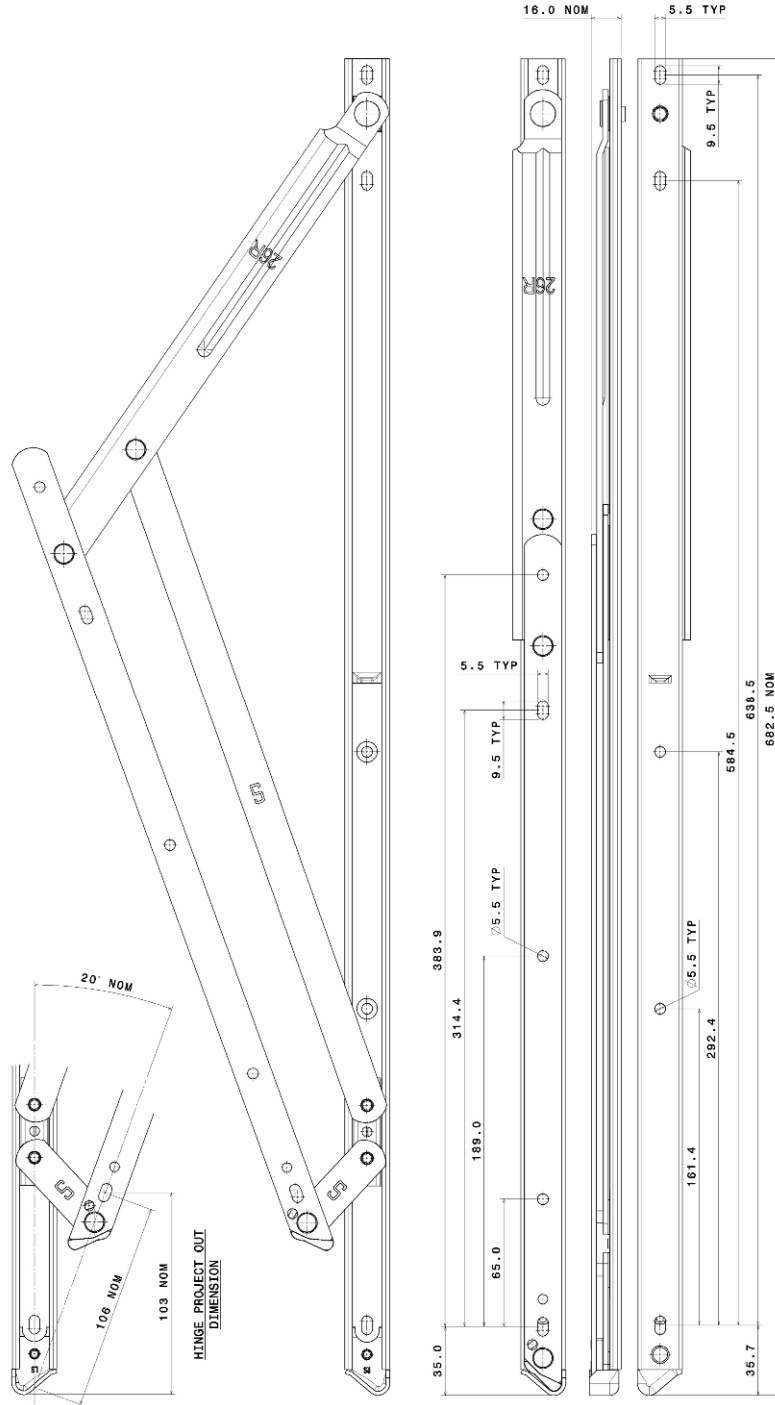


Securistyle Ltd.
 Kingsmead Industrial Estate
 Princess Elizabeth Way, Cheltenham,
 Gloucestershire, GL51 7RE
 Tel: +44 (0) 1242 221200
 Fax: +44 (0) 1242 520828
 Web: www.securistyle.co.uk

HINGES

ASSEMBLY SHEET - SPT26

Top Hung Hinge



Hinge Code	Max. Vent Weight (Kg)	Min. Vent Height (mm)	Max. Vent Height (mm)	Max. Vent Width (mm)	Hardware Cavity (mm)
SPT26	180	2000	2500	See profile manufacturers recommendations	16 - 18

Not to Scale, All dimensions in mm

It is the responsibility of the user to ensure that this document is at the latest issue.

Due to our policy of continual product improvement we reserve the right to alter specifications without notice.

It is the responsibility of the window manufacturer to ensure that the finished window meets the required performance and safety specification.

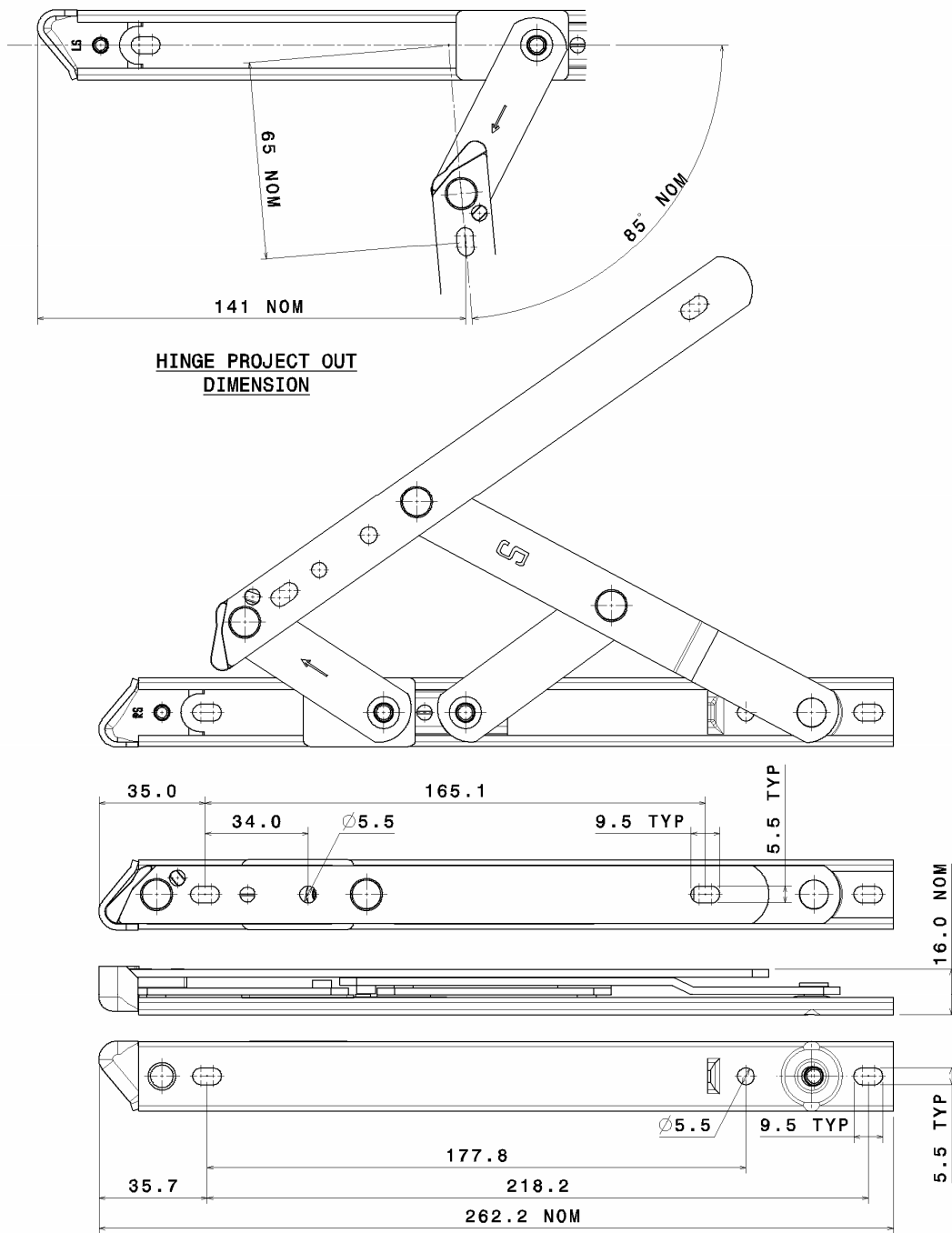


Securistyle Ltd.
 Kingsmead Industrial Estate
 Princess Elizabeth Way, Cheltenham,
 Gloucestershire, GL51 7RE
 Tel: +44 (0) 1242 221200
 Fax: +44 (0) 1242 520828
 Web: www.securistyle.co.uk

HINGES

ASSEMBLY SHEET - SPS10

Side Hung Hinge



Hinge Code	Max. Vent Weight (Kg)	Min. Vent Width (mm)	Max. Vent Width (mm)	Max. Vent Height (mm)	Hardware Cavity (mm)
SPS10	38	300	660	See profile manufacturers recommendations	16 - 18

Not to Scale, All dimensions in mm

It is the responsibility of the user to ensure that this document is at the latest issue.

Due to our policy of continual product improvement we reserve the right to alter specifications without notice.

It is the responsibility of the window manufacturer to ensure that the finished window meets the required performance and safety specification.

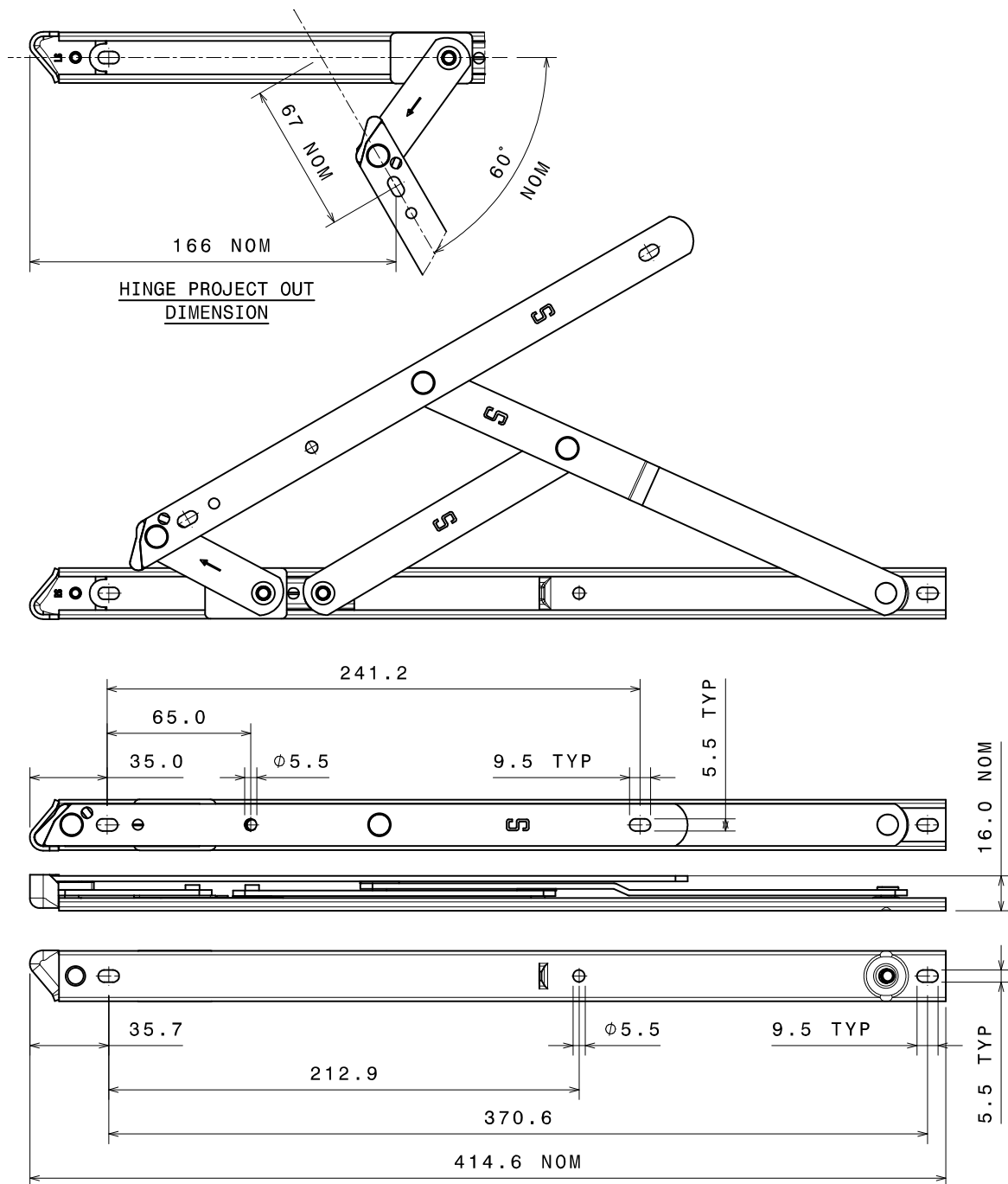


Securistyle Ltd.
 Kingsmead Industrial Estate
 Princess Elizabeth Way, Cheltenham,
 Gloucestershire, GL51 7RE
 Tel: +44 (0) 1242 221200
 Fax: +44 (0) 1242 520828
 Web: www.securistyle.co.uk

HINGES

ASSEMBLY SHEET - SPSH16

Side Hung Hinge



Hinge Code	Max. Vent Weight (Kg)	Min. Vent Width (mm)	Max. Vent Width (mm)	Max. Vent Height (mm)	Hardware Cavity (mm)
SPSH16	55	450	838	See profile manufacturers recommendations	16 - 18

Not to Scale, All dimensions in mm

It is the responsibility of the user to ensure that this document is at the latest issue.

Due to our policy of continual product improvement we reserve the right to alter specifications without notice.

It is the responsibility of the window manufacturer to ensure that the finished window meets the required performance and safety specification.



Securistyle Ltd.
 Kingsmead Industrial Estate
 Princess Elizabeth Way, Cheltenham,
 Gloucestershire, GL51 7RE
 Tel: +44 (0) 1242 221200
 Fax: +44 (0) 1242 520828
 Web: www.securistyle.co.uk